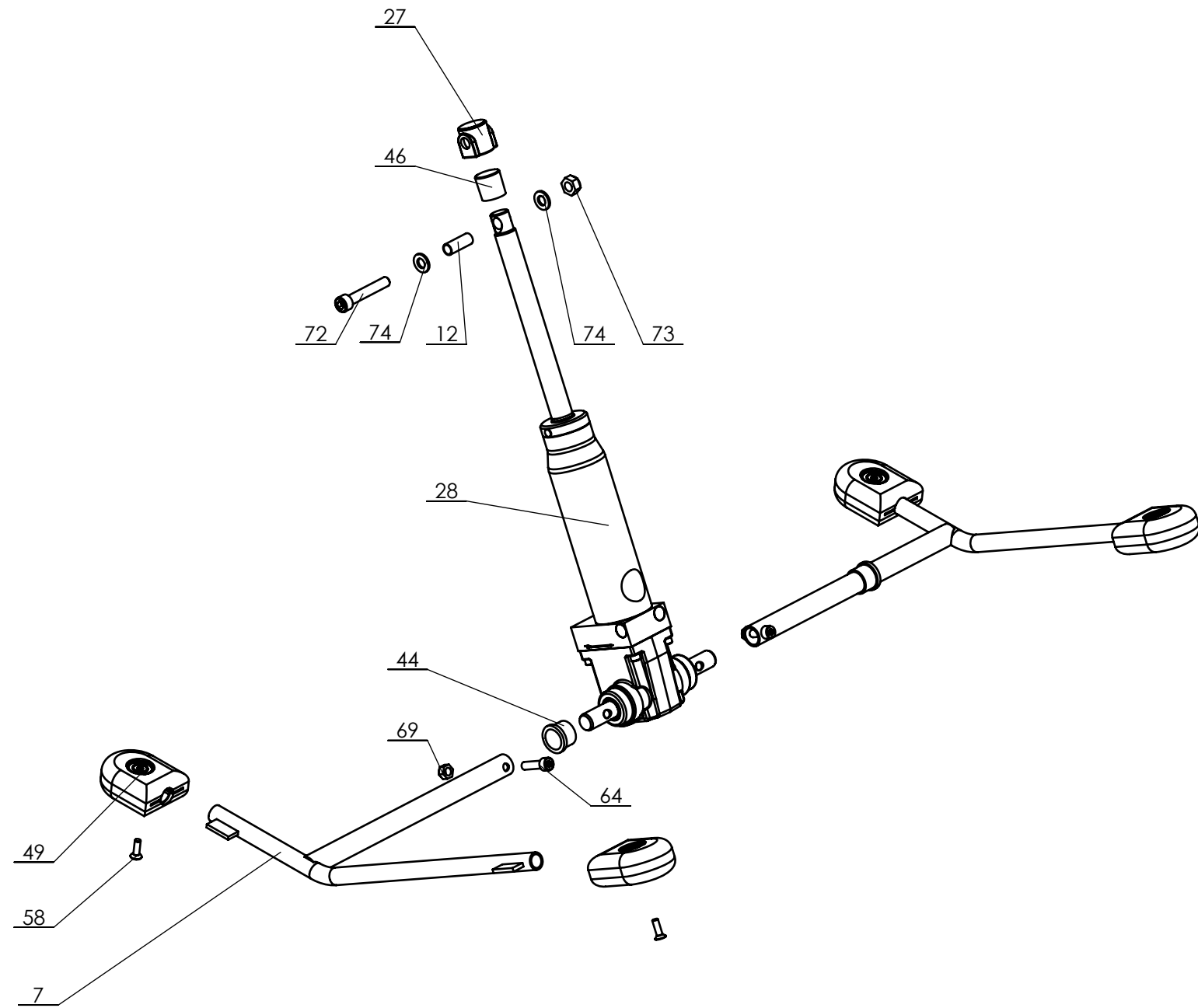


Drawn by: RH	Date: 11-03-2020
Revised: 5 /KA	Date: 25-09-2023
Revised: 4 /KA	Date: 09-01-2023
Copyright reserved by law.	unit of measurement: mm

Chassis

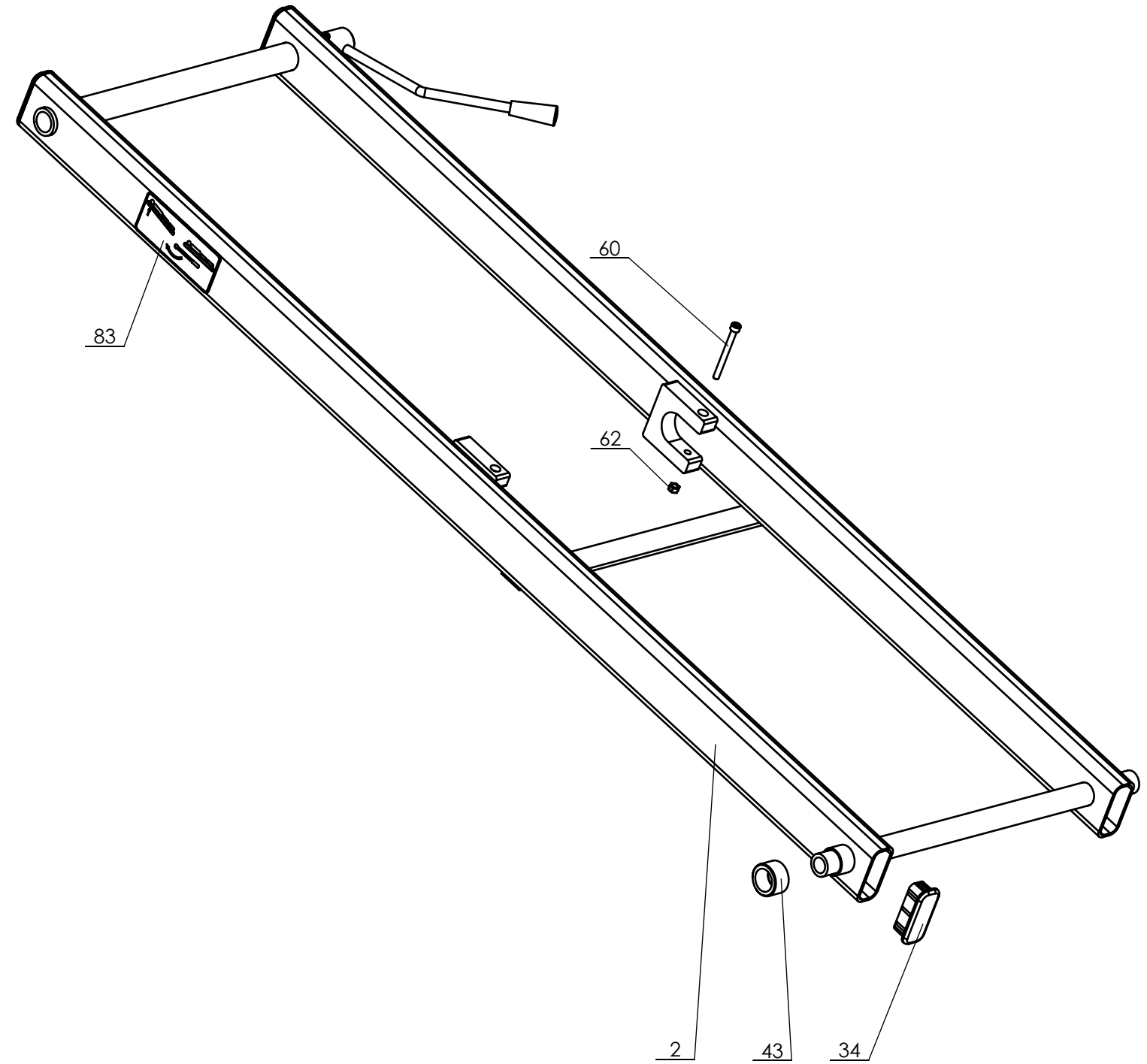
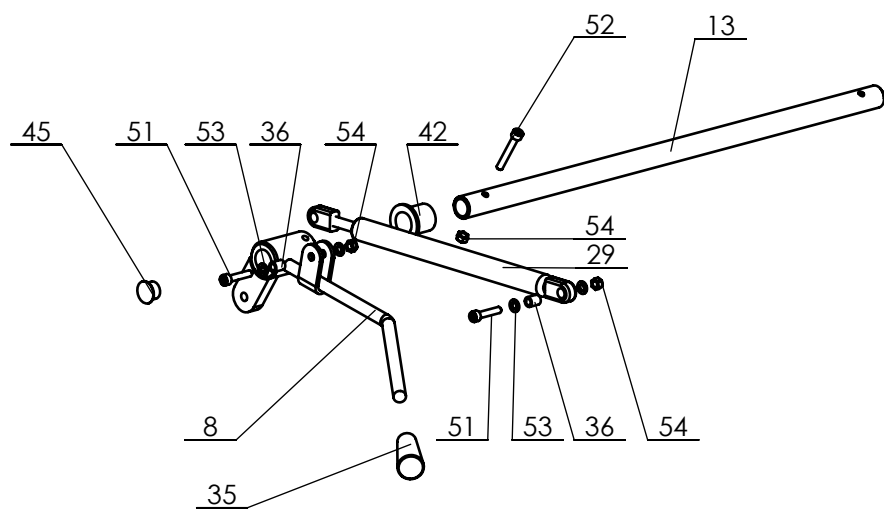
Lopital Nederland bv

Type nr: 2010-EV.5



Drawn by: RH	Date: 11-03-2020
Revised: 5 /KA	Date: 25-09-2023
Revised: 4 /KA	Date: 09-01-2023
Copyright reserved by law	Unit of measurement mm

<h1>Pump</h1>	
Lopital Nederland bv	Type nr: 2010-EV.5



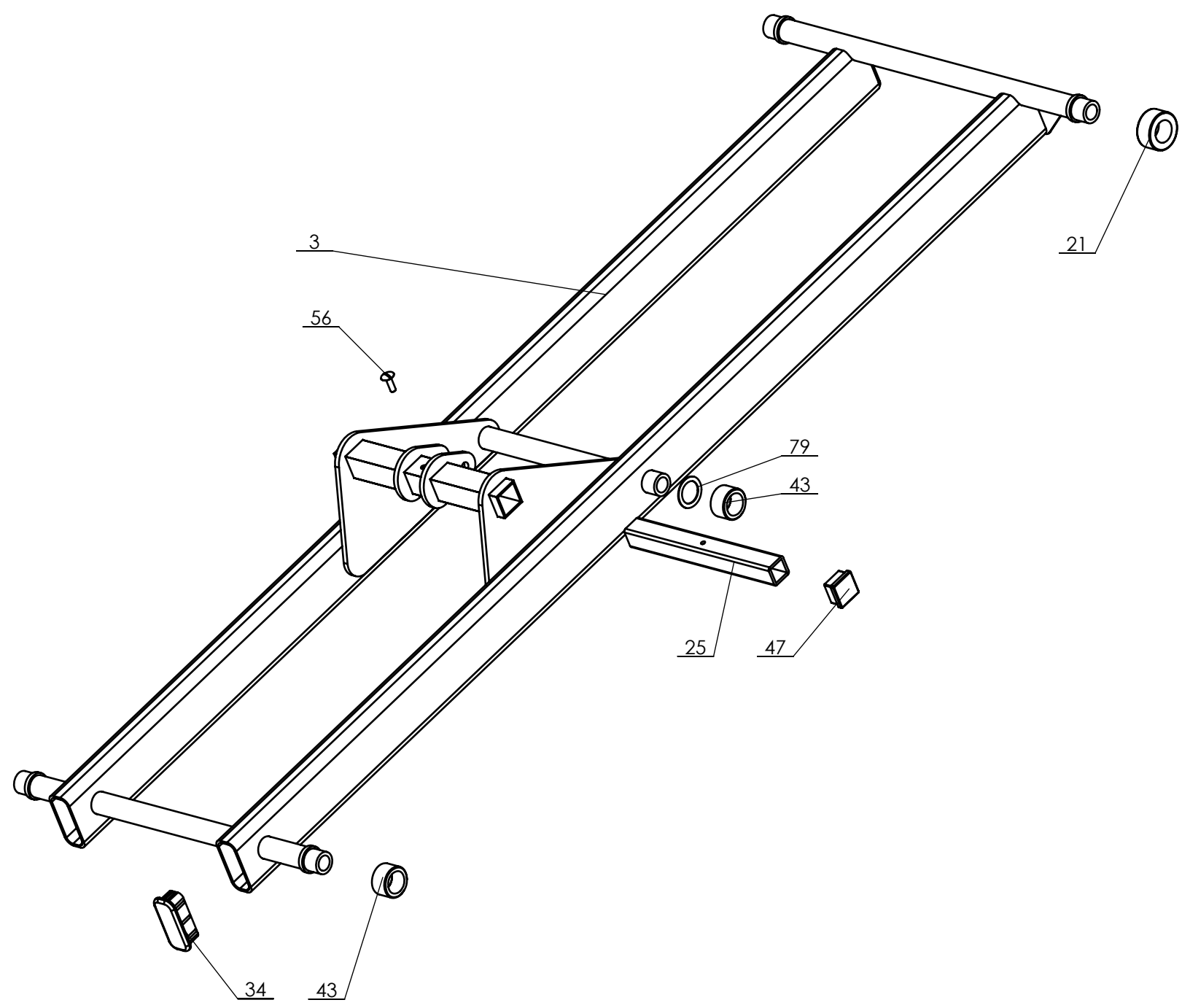
Productontwikkeling \SW-Tek\Matina 2000-2050\

Drawn by: RH	Date: 11-03-2020
Revised: 5 /KA	Date: 25-09-2023
Revised: 4 /KA	Date: 09-01-2023
Copyright reserved by law	Unit of measurement: mm

Subframe outside

Lopital Nederland bv

Type nr: 2010-EV.5



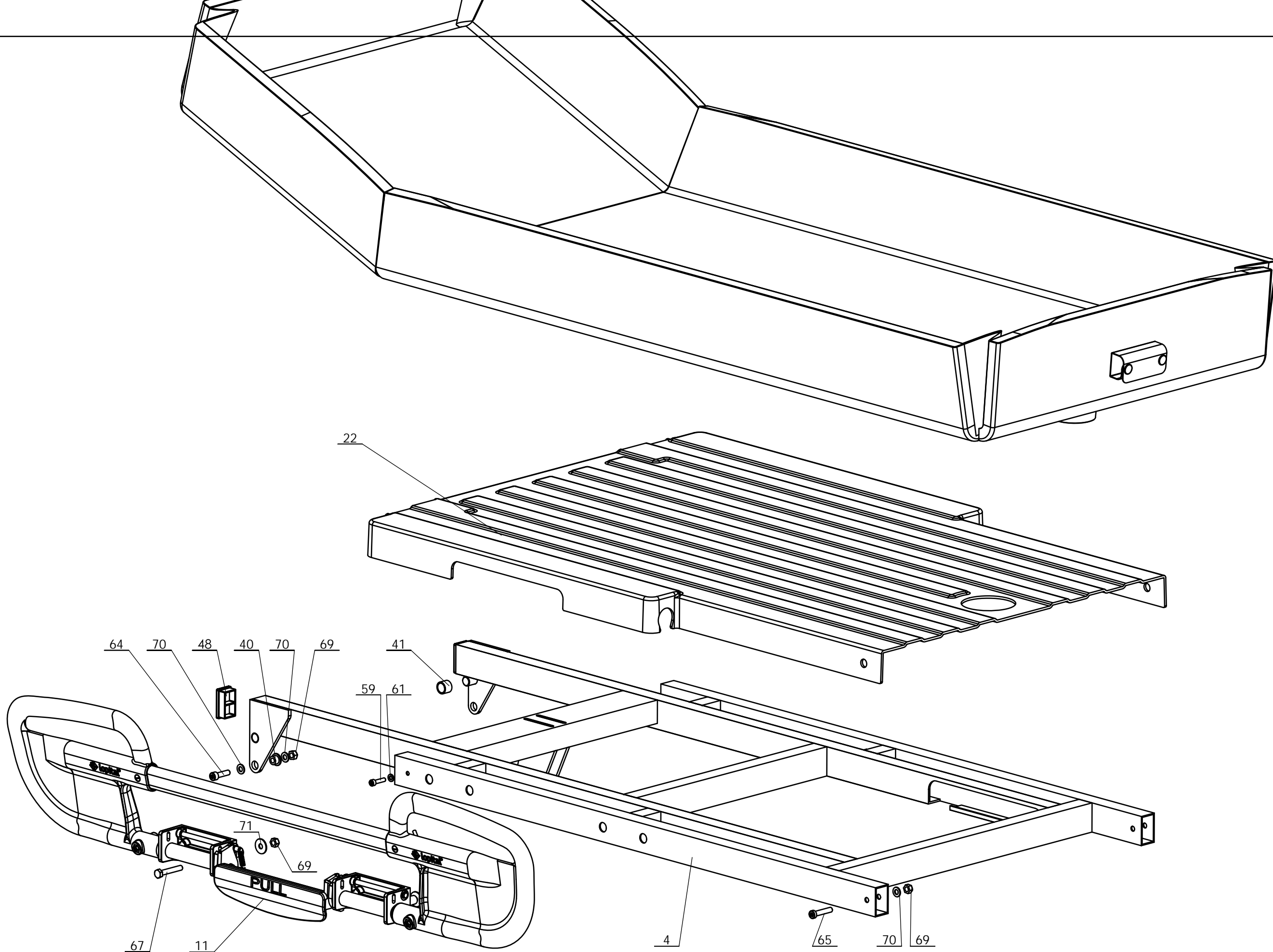
Productontwikkeling \SW-Tek\Matina 2000-2050\

Drawn by: RH	Date: 11-03-2020
Revised: 5 /KA	Date: 25-09-2023
Revised: 4 /KA	Date: 09-01-2023
Copyright reserved by law	Unit of measurement: mm

Subframe inside

Lopital Nederland bv

Type nr: 2010-EV.5



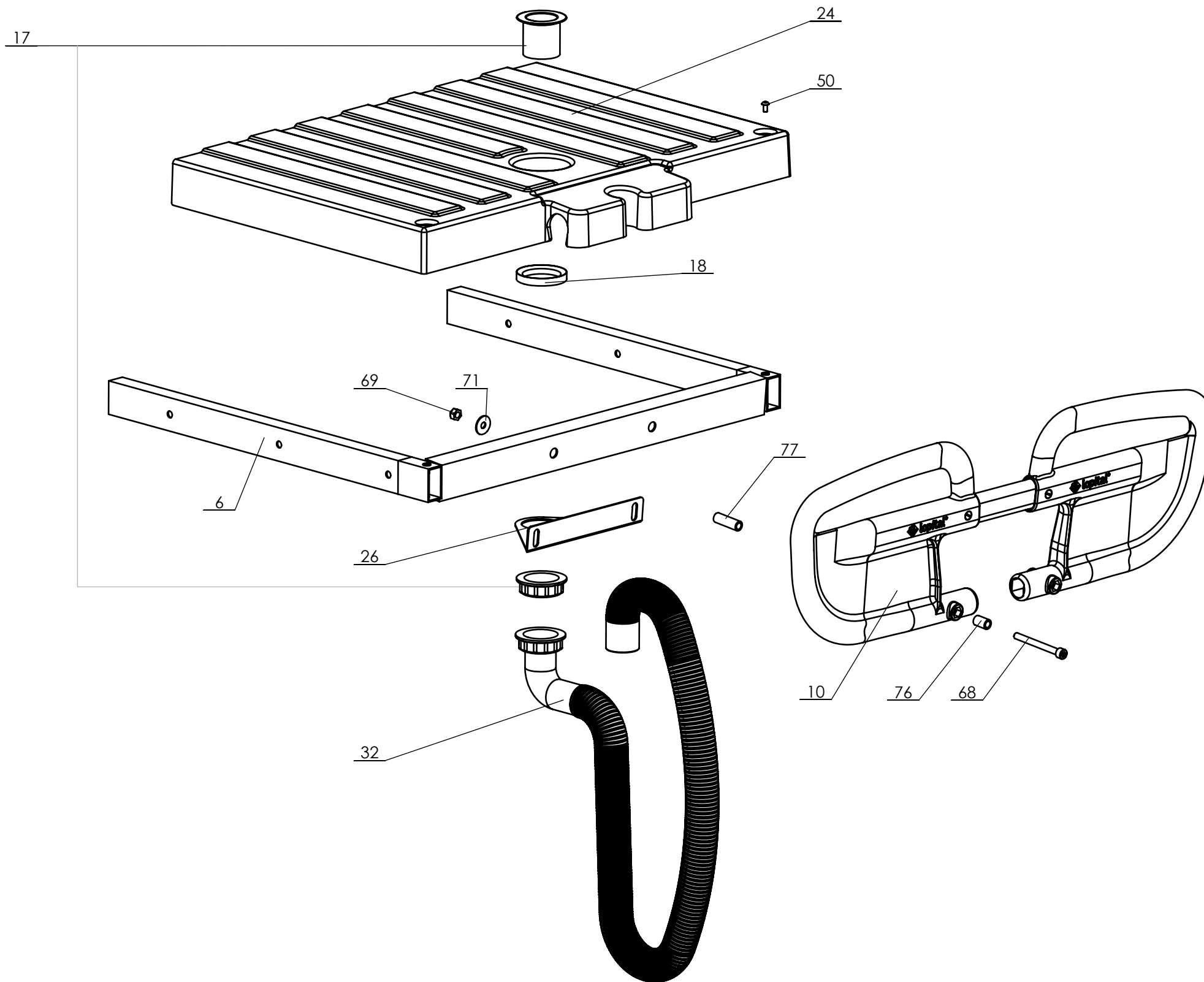
Productontwikkeling \SW-Tek\Matras 2000-2050\

Drawn by: RH	Date: 11-03-2020
Revised: 5 /KA	Date: 25-09-2023
Revised: 4 /KA	Date: 09-01-2023
Copyright reserved by law	Unit of measurement: mm

Top frame middle

Lopital Nederland bv

Type nr: 2010-EV.5

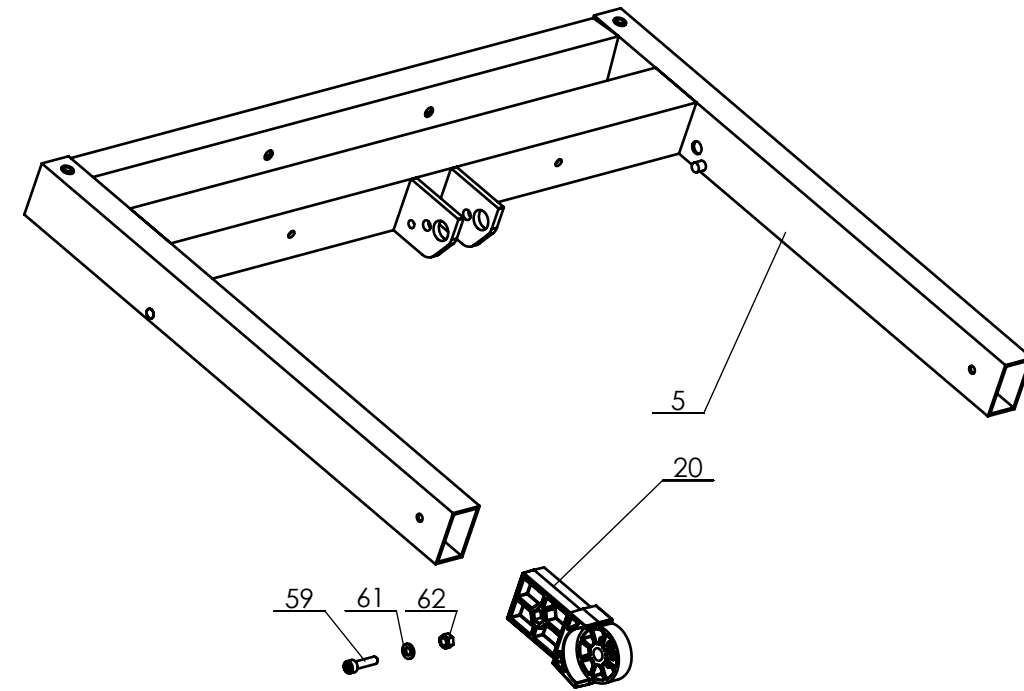
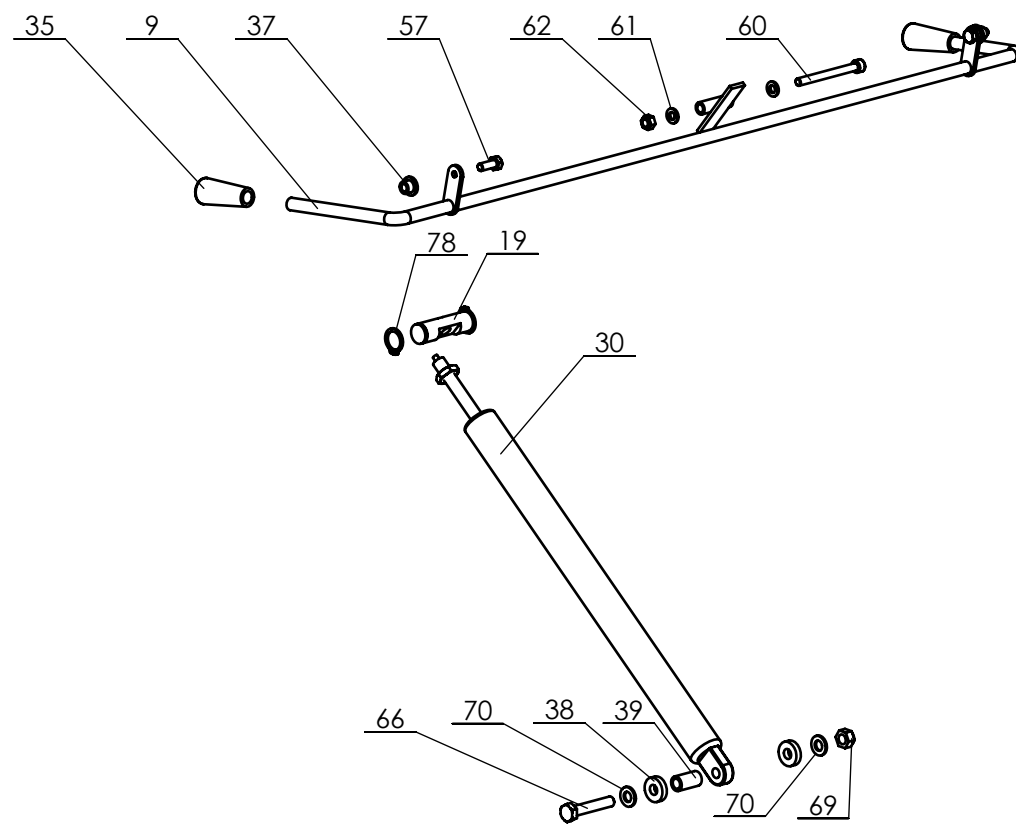
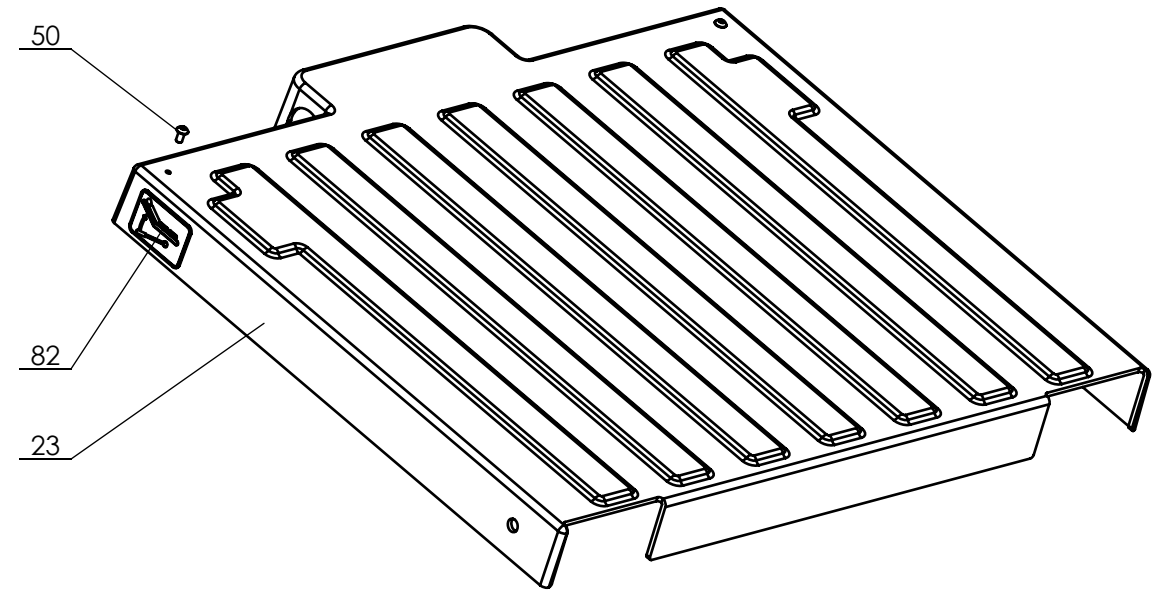
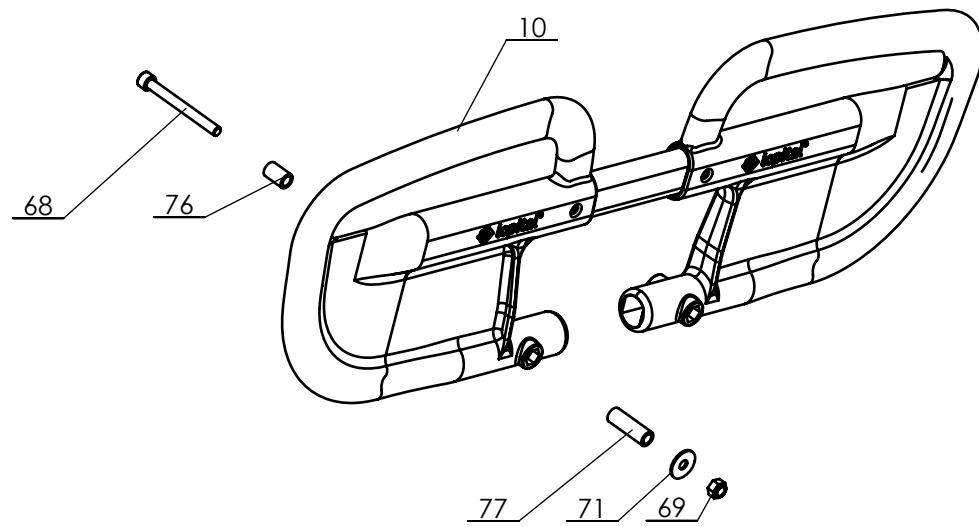


Drawn by: RH	Date: 11-03-2020
Revised: 5 /KA	Date: 25-09-2023
Revised: 4 /KA	Date: 09-01-2023
Copyright reserved by law	Unit of measurement: mm

Length adjustment

Lopital Nederland bv

Type nr: 2010-EV.5



Productontwikkeling \SW-Tek\Matina 2000-2050\

Drawn by: RH	Date: 11-03-2020
Revised: 5 /KA	Date: 25-09-2023
Revised: 4 /KA	Date: 09-01-2023
Copyright reserved by law.	Unit of measurement: mm

Head end	
Lopital Nederland bv	Type nr: 2010-EV.5

Marina deluxe hydraulic 61002010

Part no.	Art.no.	QTY.	Name	Material	Drawing nr.
1	70200001	1	Chassis	Alu gec.	2000-11.5
2	70200002	1	Subframe outhier	Alu gec.	2000-12.4
3	70200003	1	Subframe inner	Alu gec.	2000-13.6
4	70200004	1	Topframe	Alu gec.	2000-14.4
5	70200005	1	Backrest	Alu. gec.	2000-15.3
6	70200006	1	Length adjustment	Alu gec.	2000-16.3
7	70200007	1	Pump pedal set	St gec.	2000-18.1
8	Set with no.4	1	Tilt lever Set	St. gec.	2000-19.2
9	70200009	1	Gas spring lever	St. gec.	2000-21.1
10	67902025	2	Push handle		2000-DB
11	67902020	2	Side rail		2000-ZH
12	70550009	1	Hinge bush	Messing	5500-14
13	Set with no. 4	1	Tube trendelenburg	RVS	2000-33.1
14	70200011	2	Hexagonal shaft brake	RVS 304	2000-30.1
15	70200025	4	Tube cap chassis	PE	2000-31.1
16	70201003	4	Brake pedal	BKV130	2000-32
17	70200015	1	Mattress drain	PP	2000-37
18	70200016	1	Clamping ring	POM	2000-38
19	70200014	1	Gas spring shaft	RVS	2000-41.1
20	70200024	4	Hinge	BKV130	2000-42
21	70200012	2	Sliding Bearing	POM	2000-43
22	70200030	1	Cover cap set	ABS.	2000-46.1
23	70200030	1	Cover cap set	ABS.	2000-47.1
24	70200030	1	Cover cap set	ABS.	2000-48
25	70200017	1	Square tube	RVS	2000-49.1
26	70200055	1	Plate hose	RVS	2000-56
27	70200041	1	Pump cap		3D_TA23-Kap
28	70200050	1	Hydraulic pump	Power-packer	MK5
29	70200033	1	Gas spring AT	St / RVS	150mm 200N BSP
30	70200023	1	Blockable gasspring type P	M-parts	Blok gasveer Slag70 600N
31		1	Mattress	Werff	2000-Matras
32	67902000	1	Hose (complete)	PVC	Afvoerslang 90 graden
33	70201002	4	Castor set	PA	Wiel 2200
34	70200040	6	Tube cap 70x30	BKV130	2000-53
35	70200035	4	Cover gasspring handle	Kunststof	Knop 10mm
36		2	Flanged Slide bearing 5,2x8x10	PA	05.2x8x10
37		2	Flanged Slide bearing 6x10x8	PA	06x10x08
38		2	Washer 8x20x5	PA	8x20x5
39		1	Filler 8,2x12x22,5	PA	8,2x12x22,5
40		2	Flanged slide bearing 8x14x10	PA	08x14x10
41		2	Slide bearing 16x20x15 Flanged	PA	16x20x15
42		2	Slide bearing 18x22x25	PA	18x22x25

Drawn by: RH	Date: 11-03-2020
Revised: 5 /KA	Date: 25-09-2023
Revised: 4 /KA	Date: 09-01-2023
Copyright reserved by law.	Unit of measurement: mm

Parts overview

Lopital Nederland bv

Type nr: 2010-EV.5

Marina deluxe hydraulic 61002010

Part no.	Art.no.	QTY.	Name	Material	Drawing nr.
43		6	Slidebearing 25x35x20	PA	25x35x20
44		2	Flanged Slide bearing 22x26x20	PA	22x26x20
45		2	Tube cap Ø18	PE grey	Insteekdop rond 18 grijs
46		1	Tube cap Ø22	PVC	Meubeldop 22
47		2	Tube cap 30x30	PE grey	Insteekdop30x30
48		2	Tube cap 50x30	PE grey	Insteekdop 50x30
49	70519920	4	Pedal cap	Rubber	Pedaal kap
50		8	Hexagon socket button head screw M5x10	A2	M5x10 ISO7380
51		2	Cylinder head screw M5x25	A2	M5x25 DIN912
52		2	Cylinder headscrew M5x35	A2	M5x35 DIN912
53		4	Washer M5	A2	M5 DIN 125
54		4	Locknut M5	A2	M5 DIN985
55		4	Hexogonal socket button head screw M6x8	A2	M6x8 ISO7380
56		1	Slotted mushroom head screw M6x20	A2	M6x20 Laagbolkop Schroef
57		2	Hexagonal head bolt M6x16	A2	M6x16 DIN931
58		4	Countersunk head screw M6x20	A2	M6x20 DIN7991
59		4	Cylinder head screw M6x25	A2	M6x25 DIN912
60		7	Cylinder head screw M6x65	A2	M6x65 DIN912
61		6	Washer M6	A2	M6 DIN 125
62		11	Locknut M6	A2	M6 DIN985
63		4	C sunk head screw M8x12	A2	M8x12 DIN7991
64		4	Cylinder head screw M8x30	A4	M8x30 DIN912
65		2	Cylinder low head screw M8x40	A2	M8x40 DIN7984 lage kop BZK
66		1	Hexagonal head screw M8x45	A2	M8x45 DIN931
67		8	Hexagonal head screw M8x50	A2	M8x50 DIN933
68		4	Cylinder head screw M8x80	A2	M8x80 A4 DIN912
69		19	Locknut M8	A2	M8 DIN985
70		8	Washer M8	A2	M8 DIN 125
71		12	Washer M8 Ø25	A2	Carrosseriering M8
72		1	Cylinder head screw M10x60	St. 12.9 Dacr.	M10x60 12.9 DIN912 Dacromet
73		1	Locknut M10	A2	M10 DIN985
74		2	Washer M10	A2	M10 DIN 125
75	70200037	2	Connecting nut M6x20	A2	Verbindingsmoer M6x20 rond
76		4	Connecting nut M10x20	A2	Verbindingsmoer M10x20 rond
77	70200038	4	Connecting nut M10x40	A2	Verbindingsmoer M10x40 rond
78		2	Circlip Ø16	A2	16 DIN471
79		2	Shimring	A2	shimring Ø25x1

Drawn by: RH	Date: 09-06-2020
Revised: 5 /KA	Date: 25-09-2023
Revised: 4 /KA	Date: 09-01-2023

Copyright reserved by law.	Unit of measurement: mm
----------------------------	-------------------------

Parts overview

Lopital Nederland bv

Type nr: 2010-EV.5

Marina deluxe hydraulic 61002010

Part no.	Art.no.	QTY.	Name	Material	Drawing nr.
80		2	Sticker rempedaal + richting		<i>Sticker Rempedaal + Richting</i>
81		2	Sticker rempedaal		<i>Sticker Rempedaal</i>
82	70200045	2	Sticker Backrest	-	<i>Sticker Rugverstelling</i>
83	70200046	2	Sticker Anti Trendelenburg		<i>Sticker Anti Trendelenburg</i>
84		2	Sticker Marina deluxe	PP Film	<i>Sticker - Marina deluxe -buis</i>
85		2	Sticker Lopital - marina	PP Film	<i>2000-61</i>
86		2	Serial number sticker		<i>Sticker-Serienummer vlak</i>
87		2	Safety Sign IFU sticker		<i>Safety sign IFU</i>

Matress length 186cm / 206cm / 226cm

Part nr.	Art.nr.	QTY	Name	Material	Drawing nr.
1	6720 0010	1	Matress L=186 cm		2000-51
2	6720 0020	1	Matress L=206 cm		2000-50
3	6720 0030	1	Matress L=226 cm		2000-52



Productontwikkeling\SW-Tek\Marina 2000-2050\

Drawn by: RH	Date: 09-06-2020
Revised: 5 /KA	Date: 25-09-2023
Revised: 4 /KA	Date: 09-01-2023

Copyright reserved by law	Unit of measurement: mm
---------------------------	-------------------------

Parts overview

Lopital Nederland bv

Type nr: 2010-EV.5