

P:\SW-Tek\Vienna 5030\

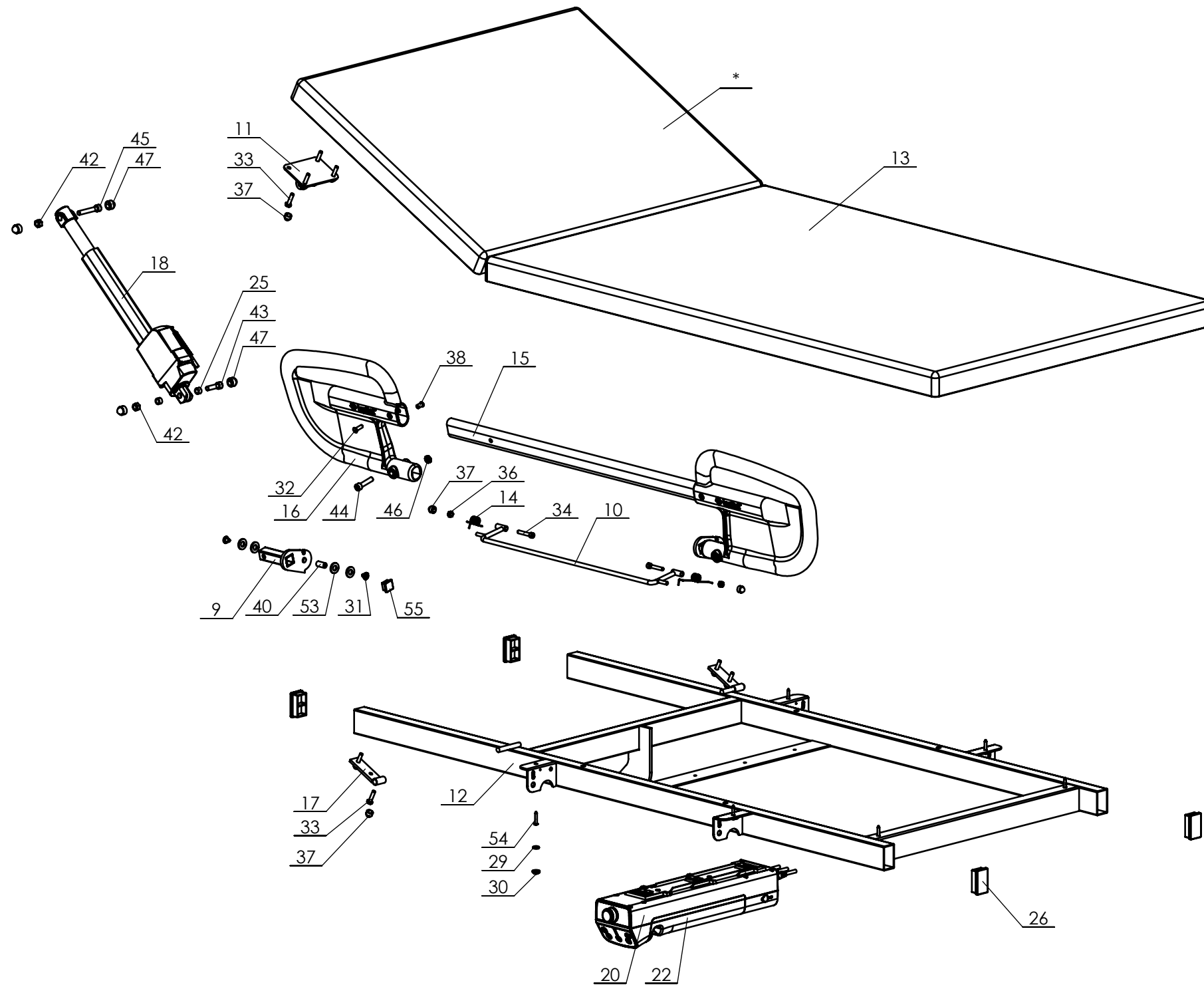
Drawn by:	RH	Date:	11-05-2023
Revised:	- /	Date:	-
Revised:	- /	Date:	-

Overview parts

Copyright reserved by law	Unit of measurement: mm
---------------------------	-------------------------

Lopital Nederland bv

Type no: 65005030



Drawn by: RH	Date: 11-05-2023
Revised: - /RH	Date: -
Revised: - /RH	Date: -

Copyright reserved by law Unit of measurement: mm

Overview parts

Lopital Nederland bv

Type no: 65005030

Vienna 65005030

Part no.	Art.no.	QTY.	Name	Material	Drawing nr.
1	70250001	1	Movable frame	Steel	70250001.00.04
2	70250002	1	Floor frame	Steel + Stainless steel	70250002.00.03
3	70250003	1	Wall frame	Steel + Stainless steel	70250003.00.02
4	70250004	2	Suspension frame	Steel + Stainless steel	70250004.00.03
5	70250007	2	Tube	Tube 1.4301 - 48,3x2 Polished grit 320	70250007.00.01
6	70560040	4	Bush	Round bar 2.0401 - 20 mm	70250008.00.00
7	70250015	1	Cover	ABS	70250015.00.00
8	70250016	1	Cover	ABS	70250016.00.00
9	70503004	1+1	Siderail bracket L+R	Aluminium	70503003.00.04
10	70503003	1	Siderail adjusting	Steel	70503004.00.00
11	70503005	1	Back mounting	Steel	70503005.00.00
12	70200004	1	Topframe 80cm	Aluminium	70503010.00.00
13	70503006	1	Pillow set	Skai (blauw)	70503012.00.00
14	70503009	1+1	Torsievoor L+R	Blank verenstaal	70503013.00.00
15	70200019	1	Oval tube	Aluminium	2000-28.2
16	70570004	2	Side rail grip	PA6 GF30	2000-35.3
17	70411003	2	Hinge for back	Steel + Stainless steel	4110-14
18	70205005	1	Actuator TA29	-	TA29
19	70250011	1	Actuator	-	TA37-Slag 500
20	70205002	1	Control Box	-	3D_TC12 (2.9A)
21	70205004	1	Handset	-	3D_TMH3
22	70205003	1	Batterypack	-	Accu
23	70250018	2	Gas spring	-	150mm 700N
24	70250010	16	Bearing shell	PA Type 6	70250010.00.00
25		2	Filler 8x12x7,5	PA	8x12x7,5
26		4	Tube cap 50x30	PE grey	Insteekdop 50x30
27		2	Adjustable foot	-	Stelvoet M10
28		8	Hex socket head screw	A2	M5x16 ISO7380
29		6	Kapring	PA	Kapring M5
30		6	Screw cap M4	PA	Afdekkap M5
31		4	Hex socket head screw M6x8	A2	M6x8 ISO7380
32		2	Raised countersunk screw M6x20	A2	M6x20 DIN965
33		8	Hexagonal head bolt M6x25	A2	M6x25 DIN931
34		2	Cylinder head screw M6x35	A2	M6x35 DIN912
35		2	Hexagonal head screw M6x65	A2	M6x65 DIN931
36		4	Locknut M6	A2	M6 DIN985
37		14	Nut cap M6	PE (wit)	Moerkap M6
38		2	Sleeve nut	A2	M6 x10 x15
39		4	Washer M6 Ø18	A2	Carrosseriering M6 DIN9021
40	70200037	2	Connecting nut M6x20	A2	Verbindingsmoer M6x20 rond

Drawn by:	RH	Date:	11-05-2023
Revised:	- /-	Date:	-
Revised:	- /-	Date:	-

Overview parts

Copyright reserved
by law

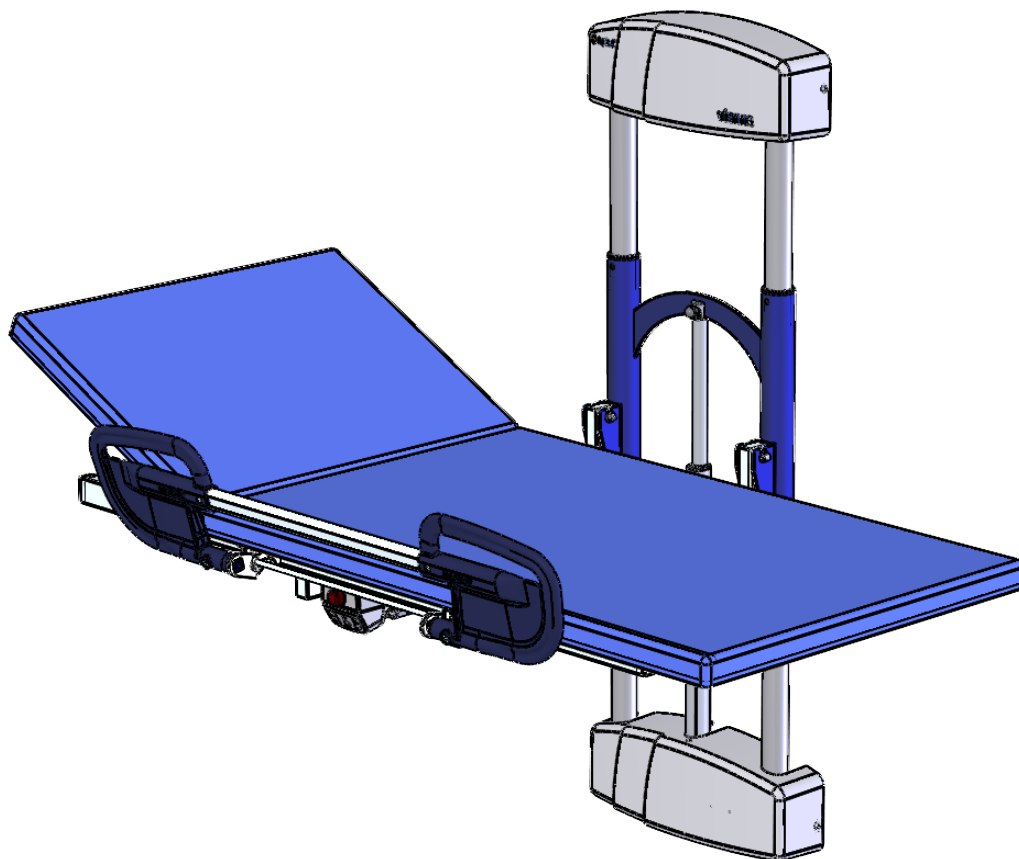
Unit of measure:
mm

Lopital Nederland bv

Type no: 65005030

Vienna 65005030

Part no.	Art.no.	QTY.	Name	Material	Drawing nr.
41		4	Washer M8	PA	M8 DIN 125 PA
42		4	Locknut M8	A2	M8 DIN985
43		1	Cylinder head screw M8x30	A4	M8x30 DIN912
44		2	Cylinder head screw M8x35	A2	M8x35 DIN912
45	-	1	Cylinder head screw M8x55	A2	M8x50 DIN912
46		2	Hex Nut M8	A2	M8 DIN 934
47		6	Nutcap M8	PE	Moerkap M8
48		2	Hexagonal nut M10	A4	M10 A2 DIN 934
49		2	Locknut M10	A2	M10 DIN985
50		1	Hexagon head bolt M10x35	RVS 304	M10x35 DIN931
51	-	1	Cylinder head screw M10x35	A2	M10x35 DIN912
52		1	Nutcap M10	PE	Moerkap M10
53		8	Washer PA M10	PA	M10 DIN125 PA
54		6	Chipboard screw 4,5x25	A2	ST4,5x25 DIN7981
55		2	Tube cap 20x20	PE grey	Insteekdop20x20
56		1	Sticker Lopital	PP Film	Sticker - Lopital + Logo 12 mm
57		1	Sticker Sirocco	PP Film	Sticker - Vienna



Drawn by: RH	Date: 11-05-2023
Revised: - /KA	Date: -
Revised: - /KA	Date: -

Overview parts

Copyright reserved
by law

Unit of measure:
mm

Lopital Nederland bv

Type no: 65005030