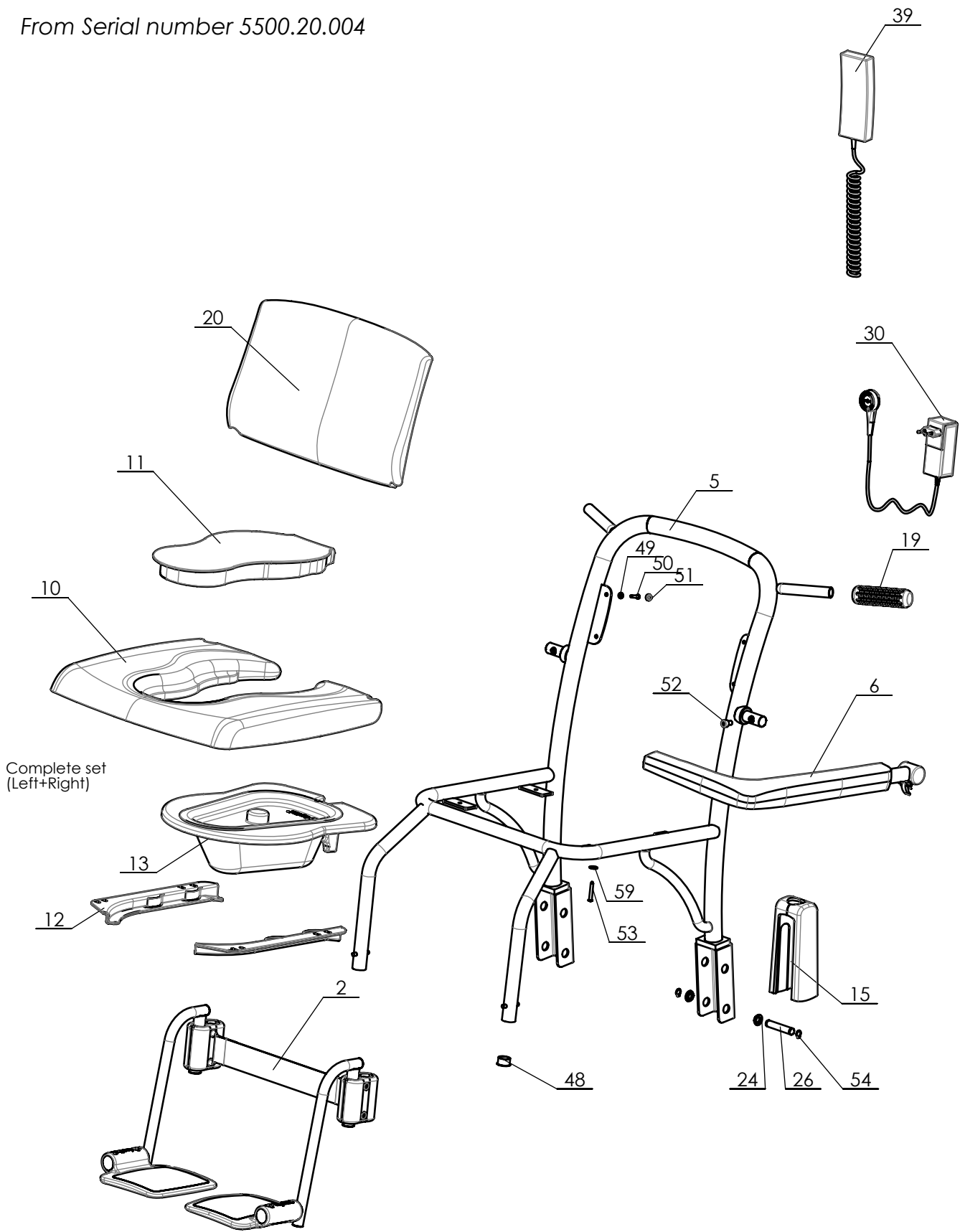


From Serial number 5500.20.004



P:\SW-Tek\Elexo 5500\

| | | | |
|---------|-------|------|------------|
| Signed | PS | Date | 22-03-2010 |
| Revised | 8 /KA | Date | 19-10-2018 |
| Revised | 9 /KA | Date | 08-01-2020 |

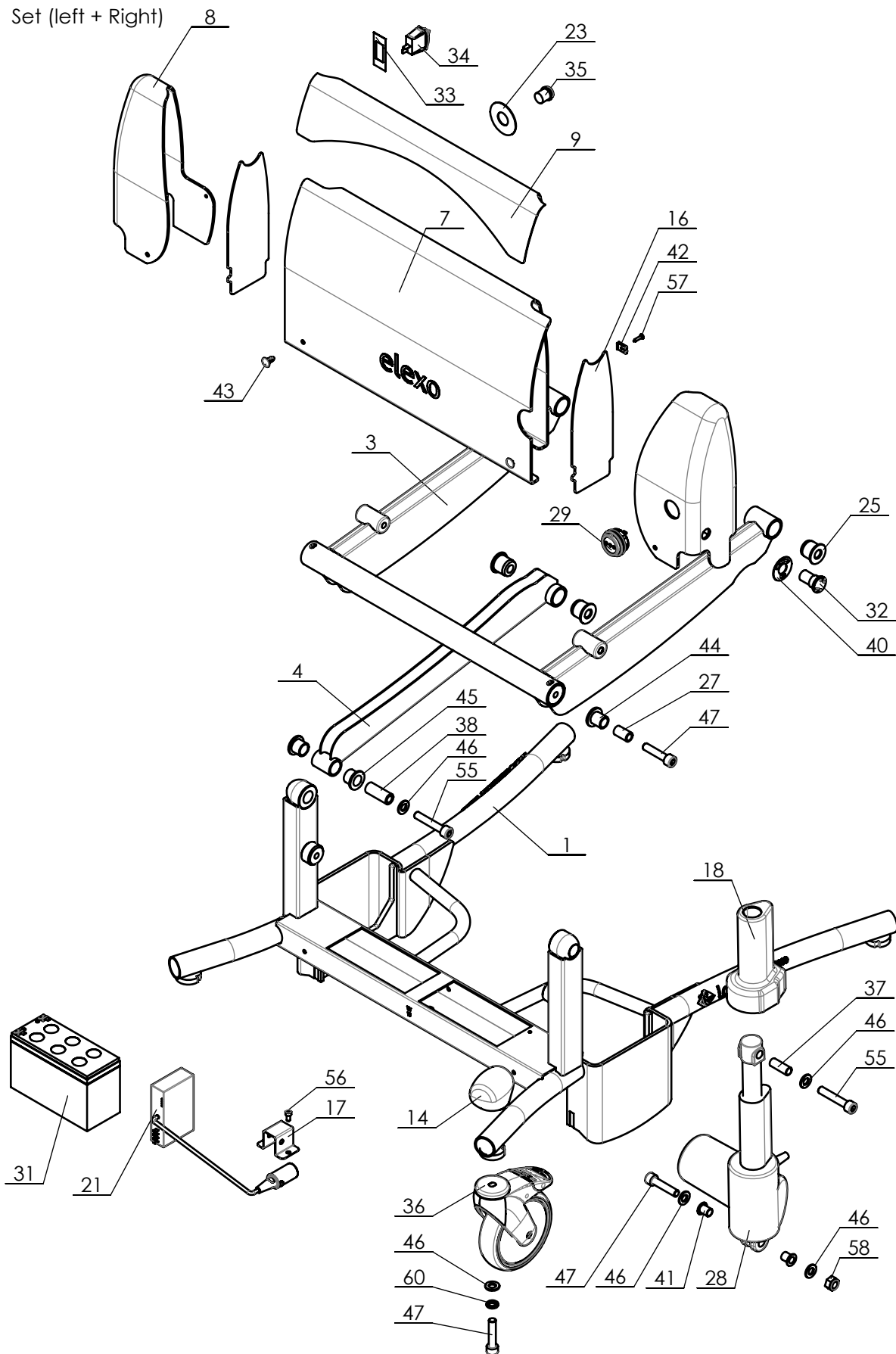
| | |
|---------------------------|-------------------------|
| Copyright reserved by law | Unit of measurement: mm |
|---------------------------|-------------------------|

Overview parts Elexo

Lopital Nederland bv

Type nr: 51005500

Set (left + Right)



P:\SW-Tek\Elexo 5500\

| | |
|------------------|-------------------|
| Getekend: RH | Datum: 02-12-2014 |
| Revisie: 08 / KA | Datum: 19-10-2018 |
| Revisie: 09 / KA | Datum: 08-01-2020 |

| | |
|--|-----------------|
| Auteursrecht volgens de wet voorbehouden | Maateenheid: mm |
|--|-----------------|

Overview parts Elexo base frame

Lopital Nederland bv

Type nr: 51005500

Elexo 51005500

| Part nr. | QTY. | Art.nr. | Part |
|----------|------|----------|--------------------------------|
| 1 | 1 | 70550001 | Frame |
| 2 | 1 | 69605199 | Footrest complete |
| 3 | 1 | 70550003 | Main lever |
| 4 | 2 | 70550004 | Control lever |
| 5 | 1 | 70519905 | Seat frame |
| 6 | 1 | 68405660 | Front locking armrest |
| 7 | 1 | 70550010 | Cover for battery (2 pieces) |
| 8 | 1 | 70550011 | Battery Cover sides (set) |
| 9 | 1 | 70550017 | Sticker motorcover |
| 10 | 1 | 70560046 | Seat |
| 11 | 1 | 70560045 | Lid for seat |
| 12 | 1 | 70510050 | Guide for bedpan set |
| 13 | 1 | 69501104 | Bedpan + lid |
| 14 | 4 | 70560066 | Protective cover wheel |
| 15 | 2 | 70519936 | Hinge cover |
| 16 | 2 | 70550019 | Seperation plate |
| 17 | 1 | 70550021 | Bracket coupling |
| 18 | 2 | 70550020 | Cover for TA1 |
| 19 | 2 | 70560049 | Handgrip |
| 20 | 1 | 70550005 | Back rest |
| 21 | 1 | 70550013 | Uni-lop Control |
| 22 | 1 | 70235007 | Battery cable with fuse |
| 23 | 1 | 70550043 | Sticker ELD |
| 24 | 8 | 70560040 | Bush bearing rear |
| 25 | 8 | 70560041 | Bush |
| 26 | 4 | 70560042 | Hinge |
| 27 | 2 | 70519923 | Bush |
| 28 | 2 | 70550006 | Actuator TA1 |
| 29 | 1 | 70550018 | Chassispart charger |
| 30 | 1 | 70550012 | Charger incl. plug |
| 31 | 2 | 70560004 | Battery Set |
| 32 | 1 | 70210517 | Emergency stop |
| 33 | 1 | 70550044 | Sticker on/off |
| 34 | 1 | 70550045 | Switch On/Off |
| 35 | 1 | 70550014 | Emergency lowering button |
| 36 | 4 | 70519928 | Castor Ø 125 mm braked |
| 37 | 2 | 70550009 | Hinge bush |
| 38 | 2 | 70550008 | Bush |
| 39 | 1 | 70550007 | Manual control |
| 40 | 1 | 70550043 | Sticker E-Stop |
| 41 | 4 | | Flanged Slide bearing 10x12x15 |

| | | | |
|---------|-------|------|------------|
| Signed | PS | Date | 22-03-2010 |
| Revised | 8 /KA | Date | 19-10-2018 |
| Revised | 9 /KA | Date | 08-01-2020 |

Copyright reserved
by law

Unit of measure-
ment: mm

Overview parts Elexo

Lopital Nederland bv

Type nr: 51005500

Elexo 51005500

| Part nr. | QTY. | Art.nr. | Part |
|----------|------|----------|---|
| 42 | 2 | | Snap nut M4 |
| 43 | 3 | | Tree clip |
| 44 | 2 | | Flanged Slide bearing 14x18x21 |
| 45 | 4 | | Flanged Slide bearing 16x20x17 |
| 46 | 13 | | Washer M10 |
| 47 | 8 | | Cylinder head screw M10 x 45 |
| 48 | 2 | | Tube cap Ø25 |
| 49 | 4 | | Capring M4 |
| 50 | 4 | | Chipboard screw 4,5x25 |
| 51 | 4 | | Screw cap M4 |
| 52 | 2 | 75005640 | Cylinder head screw M8x16 Super Duplex 4529 |
| 53 | 4 | | Chipboard screw 5x35 |
| 54 | 8 | | Retaining ring 12 |
| 55 | 4 | | Cylinder head screw M10x55 Cylinder |
| 56 | 2 | | head screw M5x10 Chipboard screw |
| 57 | 2 | | 3,9x16 |
| 58 | 2 | | Locknut M10 |
| 59 | 4 | | Washer M5 Ø15 |
| 60 | 4 | | Nord-Lock M10 |



P:\SW-Tek\Elexo 5500\

| | | | |
|---------|-------|------|------------|
| Signed | PS | Date | 22-03-2010 |
| Revised | 8 /KA | Date | 19-10-2018 |
| Revised | 9 /KA | Date | 08-01-2020 |

Overview parts Elexo

Copyright reserved
by law

Unit of measure-
ment: mm

Lopital Nederland bv

Type nr: 51005500